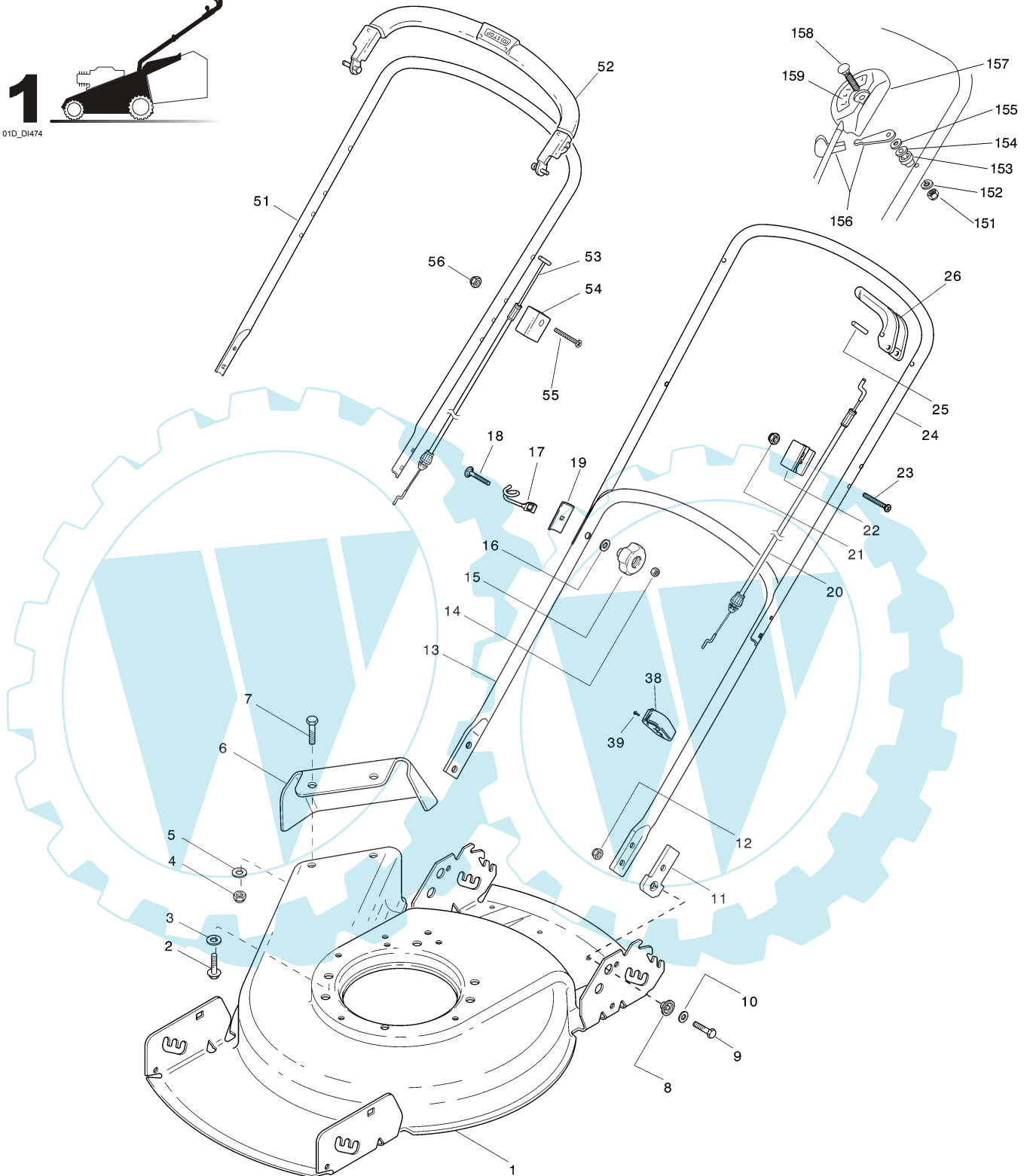


01D\_DI474



Pos.	Code	Q.ty	Descrizione	Description	Description	Beshreibung	Remarks
1	81002655/0	1	CHASSIS GIALLO	DECK YELLOW	CHÂSSIS JAUNE	GEHÄUSE GELB	
2	12735108/0	3	VITE	SCREW	VIS	SCHRAUBE	
3	12521355/0	3	ROSETTA	WASHER	RONDELLE	SCHEIBE	
4	12154510/0	2	DADO	NUT	ECROU	MUTTER	
5	12521330/0	2	ROSETTA	WASHER	RONDELLE	SCHEIBE	
6	22483333/0	1	PROTEZIONE	PROTECTION	PROTECTION	SCHUTZ	
7	12790781/0	2	VITE	SCREW	VIS	SCHRAUBE	

## GLOBAL GARDEN PRODUCTS

Pos.	Code	Q.ty	Descrizione	Description	Description	Beshreibung	Remarks
8	22041958/0	4	BUSSOLA ISOLAMENTO	ISOLATION COMPASS	BOUSSOLE DE ISOLEMENT	ABSONDERUNG KOMPAS	
9	12793701/0	4	VITE	SCREW	VIS	SCHRAUBE	
10	22671651/0	4	ROSETTA	WASHER	RONDELLE	SCHLEIBE	
11	22551577/0	2	PIASTRINA ISOLAMENTO	PLATE	PLAQUETTE	PLATTE	
12	12155000/0	4	DADO	NUT	ECROU	MUTTER	
13	81006639/0	1	MANICO, PARTE INF	HANDLE, LOWER PART	MANCHERON, PARTIE INFERIEURE	HOLM, UNTERTEIL	
14	12361005/0	2	DADO	NUT	ECROU	MUTTER	
15	22399810/0	2	MANOPOLINA	KNOB	POIGNÉE	GRIFF	
16	12521350/0	2	ROSETTA	WASHER	RONDELLE	SCHLEIBE	
17	22430311/0	1	MOLLA GUIDA	GUIDE SPRING	RESSORT DE GUIDE	FEDER FÜHRER	
18	12820655/0	2	VITE	SCREW	VIS	SCHRAUBE	
19	22545137/0	2	PIASTRINA FISSAGGIO MANICO	PLATE FOR HANDLE FASTENING	PLAQUETTE FIXAGE MANCHERON	PLATTE HOLMBEFESTIGUNG	
20	81000682/0	1	CAVO FRENO MOTORE	CABLE, THREAD MOTOR BRAKE	CABLE FREIN MOTEUR	KABEL, MOTORBREMSE	(B&S)
-	81000705/0	1	CAVO FRENO MOTORE	CABLE, THREAD MOTOR BRAKE	CABLE FREIN MOTEUR	KABEL, MOTORBREMSE	(SUMEC)
-	81000706/0	1	CAVO FRENO MOTORE	CABLE, THREAD MOTOR BRAKE	CABLE FREIN MOTEUR	KABEL, MOTORBREMSE	(TECUMSEH)
21	12154510/0	1	DADO	NUT	ECROU	MUTTER	
22	22551640/0	1	PIASTRINA	PLATE	PLAQUETTE	PLÄTTCHEN	
23	12727783/0	1	VITE	SCREW	VIS	SCHRAUBE	
24	81006615/1	1	MANICO, PARTE SUP	HANDLE, UPPER PART	MANCHERON, PARTIE SUPERIEURE	HOLM, OBERTEIL	
25	12645710/0	1	SPINA	PIN	GOUPILLE	STIFT	
26	22321700/0	1	LEVA FRENO MOTORE	LEVER, MOTOR BRAKE	LEVIER FREIN MOTEUR	HEBEL, MOTORBREMSE	
38	22192001/0	1	FASCETTA ANCORAGGIO	ANCHOR CLAMP	COLLIER ANCRAGE	BOWDENZUGHALTER	
39	12728691/0	1	VITE	SCREW	VIS	SCHRAUBE	

## VARIANTE MANICO - HANDLE MODIFICATION - MODIFICATION POIGNEE - ÄNDERUNGEN GRIFFENSTEEL

Pos.	Code	Q.ty	Descrizione	Description	Description	Beshreibung	Remarks
51	81006618/1	1	MANICO, PARTE SUP	HANDLE, UPPER PART	MANCHERON, PARTIE SUPERIEURE	HOLM, OBERTEIL	
52	81003298/1	1	LEVA FRENO MOTORE	LEVER, MOTOR BRAKE	LEVIER FREIN MOTEUR	HEBEL, MOTORBREMSE	
53	81000686/0	1	CAVO FRENO MOTORE	CABLE, THREAD MOTOR BRAKE	CABLE FREIN MOTEUR	KABEL, MOTORBREMSE	(B&S)
-	81000685/0	1	CAVO FRENO MOTORE	CABLE, THREAD MOTOR BRAKE	CABLE FREIN MOTEUR	KABEL, MOTORBREMSE	(SUMEC)
-	81000707/0	1	CAVO FRENO MOTORE	CABLE, THREAD MOTOR BRAKE	CABLE FREIN MOTEUR	KABEL, MOTORBREMSE	(TECUMSEH)
54	22551640/0	1	PIASTRINA	PLATE	PLAQUETTE	PLÄTTCHEN	
55	12727783/0	1	VITE	SCREW	VIS	SCHRAUBE	
56	12154510/0	1	DADO	NUT	ECROU	MUTTER	

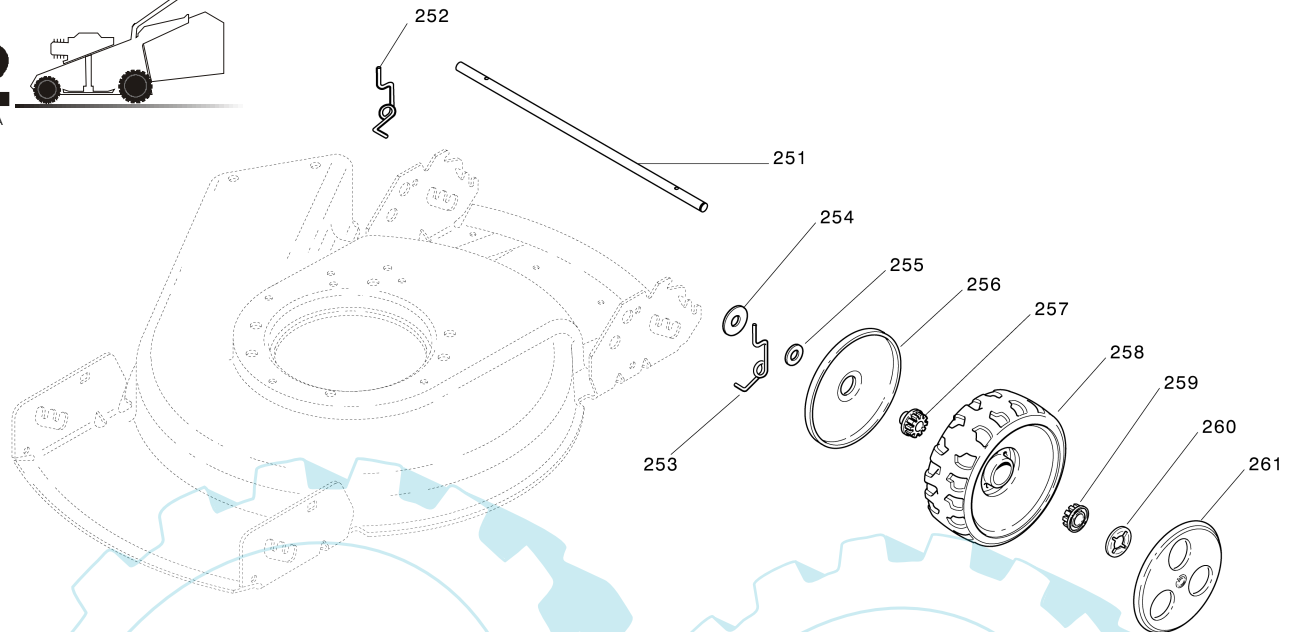
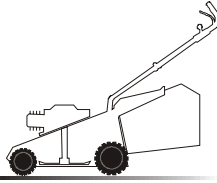
## VARIANTE ACCELERATORE - THROTTLE MODIFICATION - MODIFICATION COMMANDE D'ACCELERATION - ÄNDERUNGEN AUF GASHEBEL

Pos.	Code	Q.ty	Descrizione	Description	Description	Beshreibung	Remarks
151	12291000/0	1	DADO	NUT	ECROU	MUTTER	
152	12581500/0	1	GROWER	GROWER	GROWER	FEDERRING	
153	22171005/0	1	DISTANZIALE	SPACER	ENTRETOISE	DISTANZRING	
154	12521360/0	1	ROSETTA	WASHER	RONDELLE	SCHLEIBE	
155	12508100/0	1	ROSETTA ELASTICA	SPRING WASHER	RONDELLE ELASTIQUE	ELASTISCHE SCHLEIBE	
156	81007279/1	1	LEVA, ACCELERATORE	LEVER, THROTTLE	LEVIER, ACCELERATEUR	HEBEL, BESCHLEUNIGER	
157	81007080/0	1	CAVO ACCELERATORE	CABLE, TROTTLE	CABLE, ACCELERATEUR	KABEL, BESCHLEUNIGER	
158	12815000/0	1	VITE	SCREW	VIS	SCHRAUBE	
159	14360197/0	1	ETICHETTA	LABEL	ETIQUETTE	ETIKETTE	(SUMEC)
-	14356905/0	1	ETICHETTA	LABEL	ETIQUETTE	ETIKETTE	(TECUMSEH)

## GLOBAL GARDEN PRODUCTS

2

02D\_060A

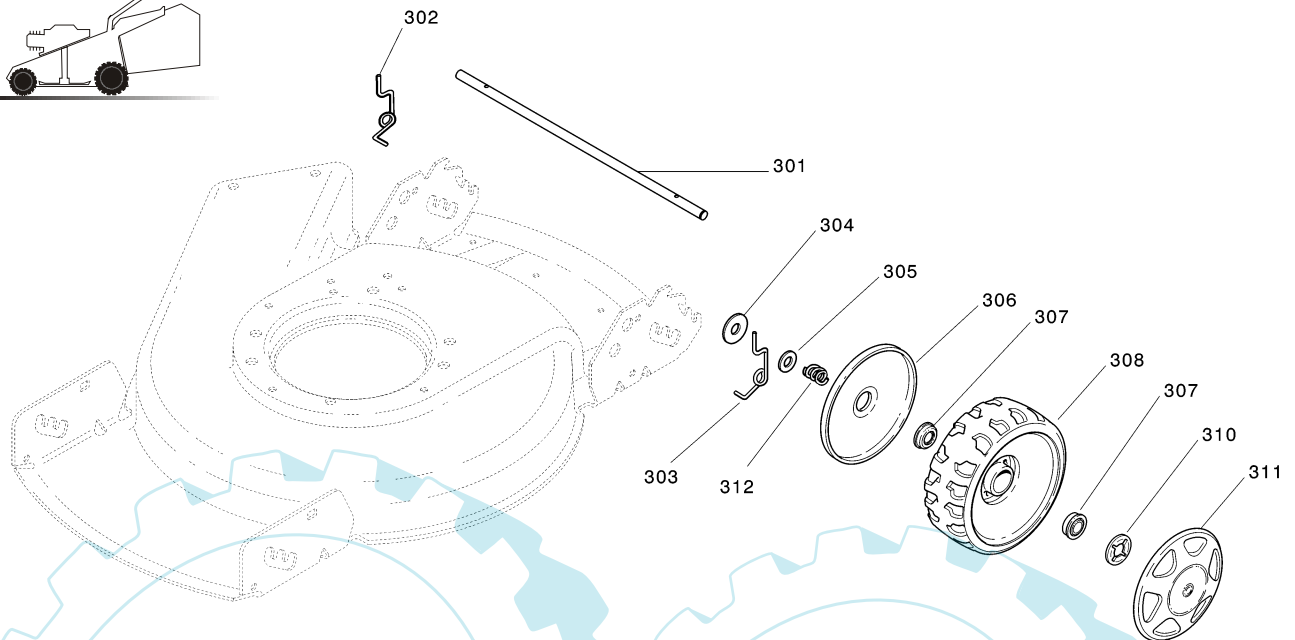
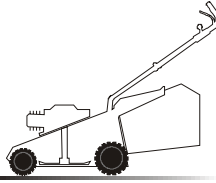


Pos.	Code	Q.ty	Descrizione	Description	Description	Beshreibung	Remarks
251	22033375/0	2	ASSE	AXLE	AXE	ACHSE	
252	22450442/0	2	MOLLA DX	R SPRING	RESSORT D	RECHTE FEDER	
253	22450441/0	2	MOLLA SX	L SPRING	RESSORT G	LINKE FEDER	
254	22671654/0	4	RONDELLA	WASHER	RONDELLE	SCHEIBE	
255	22671659/0	4	RONDELLA	WASHER	RONDELLE	SCHEIBE	
256	22600095/0	4	PROTEZIONE	PROTECTION	PROTECTION	SCHUTZ	
257	22034511/0	4	BUSSOLA	BUSH	DOUILLE	BÜCHSE	
258	81007346/0	4	RUOTA Ø 165	WHEEL Ø 165	ROUE Ø 165	RAD Ø 165	
259	22034509/0	4	BUSSOLA	BUSH	DOUILLE	BÜCHSE	
260	22020050/0	4	ANELLO ELASTICO	SNAP RING	ANNEAU RESSORT	SPRENGRING	
261	22110350/0	4	COPRIMOZZO GIALLO	HUB CAP YELLOW	COUVRE-MOYEU JAUNE	RADKAPPE GELBE	
-	22110322/0	4	COPRIMOZZO BIANCO	HUB CAP WHITE	COUVRE-MOYEU BLANC	RADKAPPE WEIßE	ø 175

## GLOBAL GARDEN PRODUCTS

**2**

02D\_060B

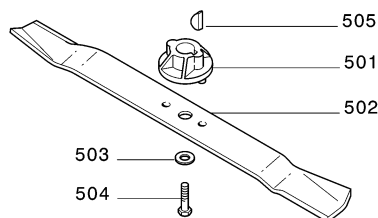
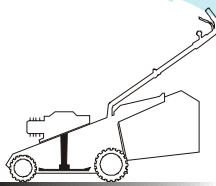


## VARIANTI RUOTE - WHEEL MODIFICATIONS - MODIFICATIONS ROUESILLES - ÄNDERUNGEN AUF RÄDER

Pos.	Code	Q.ty	Descrizione	Description	Description	Beshreibung	Remarks
301	22033375/0	2	ASSE	AXLE	AXE	ACHSE	
302	22450442/0	2	MOLLA DX	R SPRING	RESSORT D	RECHTE FEDER	
303	22450441/0	2	MOLLA SX	L SPRING	RESSORT G	LINKE FEDER	
304	22671654/0	4	RONDELLA	WASHER	RONDELLE	SCHEIBE	
305	22671659/0	4	RONDELLA	WASHER	RONDELLE	SCHEIBE	
306	22600095/0	4	PROTEZIONE	PROTECTION	PROTECTION	SCHUTZ	
307	22122202/0	8	CUSCINETTO	BEARING	COUSSINET	LAGER	
308	81007346/0	4	RUOTA Ø 165	WHEEL Ø 165	ROUE Ø 165	RAD Ø 165	
310	22020050/0	4	ANELLO ELASTICO	SNAP RING	ANNEAU RESSORT	SPRENGRING	
311	22110311/0	4	COPRIMOZZO BIANCO	HUB CAP WHITE	COUVRE-MOYEU BLANC	RADKAPPE WEIßE	
-	22110310/0	4	COPRIMOZZO GIALLO	HUB CAP YELLOW	COUVRE-MOYEU JAUNE	RADKAPPE GELBE	
312	22430215/0	4	MOLLA	SPRING	RESSORT	FEDER	

**5**

05D\_040



Pos.	Code	Q.ty	Descrizione	Description	Description	Beshreibung	Remarks
501	22465617/0	1	MOZZO	HUB	MOYEU	HALTER	
502	81004124/0	1	COLTELLO STANDARD	BLADE STANDARD	LAME STANDARD	MESSER STANDARD	
503	12530140/0	1	ROSETTA	WASHER	RONDELLE	SCHEIBE	
504	12735694/0	1	VITE	SCREW	VIS	SCHRAUBE	
505	12139100/0	1	LINGUETTA	FEATHER	CLAVETTE	KEIL	